

Technical Manual

JBL MR818

SPECIFICATIONS



ACOUSTIC & ELECTRICAL SPECIFICATIONS:

- Nominal Impedance: 8 ohm
- Power Capacity: Continuous Pink Noise: 300W
Peak Pink Noise: 1200W
- Frequency Range: 35 Hz to 4.5 kHz (-10dB)
- Sensitivity: 100 dB SPL*
- Crossover Frequencies: N/A

SYSTEM COMPONENTS:

- Cabinet: CMR818
- Grille: GMR818 (73561)
- Low Frequency Transducer: 460mm (18 in.) Cone Transducer 2042H (311693-001X)
- DC Resistance: 3.9 ohm ±10% Aluminum Wire

*1 Watt (2.83 V RMS) @ 1 Meter

SYSTEM COMPONENTS: (cont'd)

- Crossover Network: NMR818 (73562)

AURAL SWEEP TEST SPECIFICATIONS:

- A. System Aural Sweep Test: 7.0V Input, 20 Hz to 20 kHz
- B. L.F. Aural Sweep Test: 6.0V Input, 20 Hz to 6 kHz

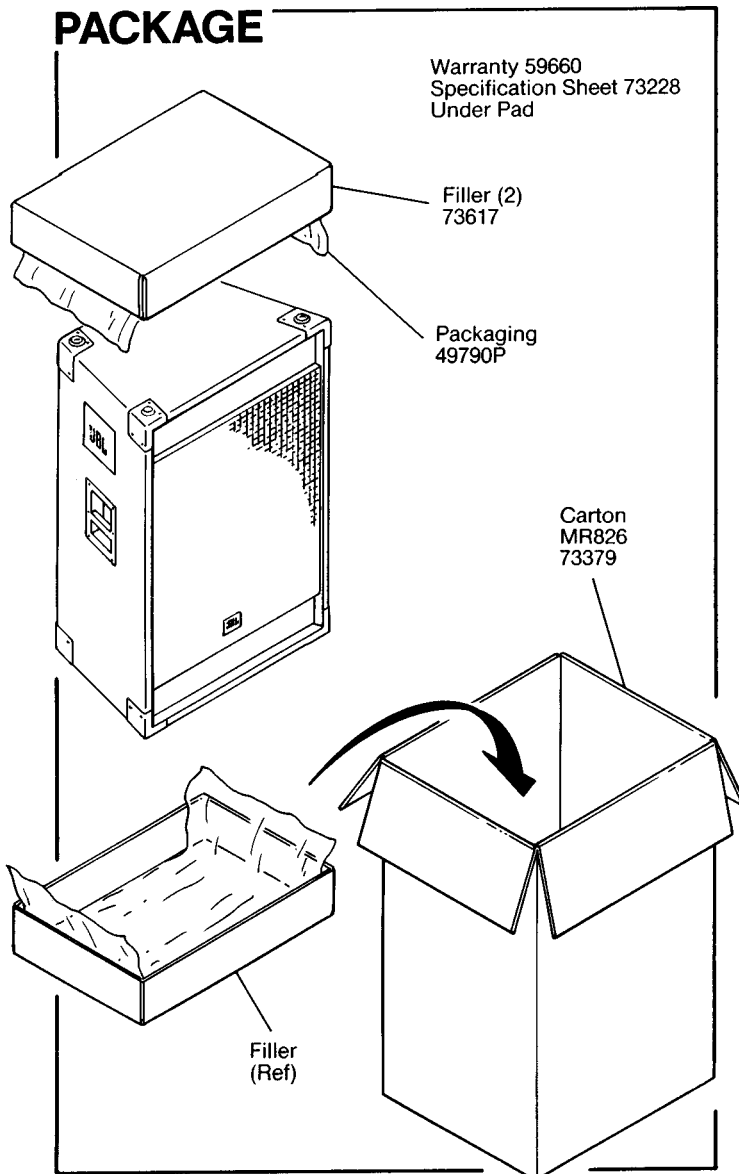
PHYSICAL SPECIFICATIONS:

- Enclosure Dimensions: 1035mm x 714mm x 457mm D
(40.75 x 28.25 x 18.0 in. D)
- Shipping Weight: 99 lbs. (45 kg)

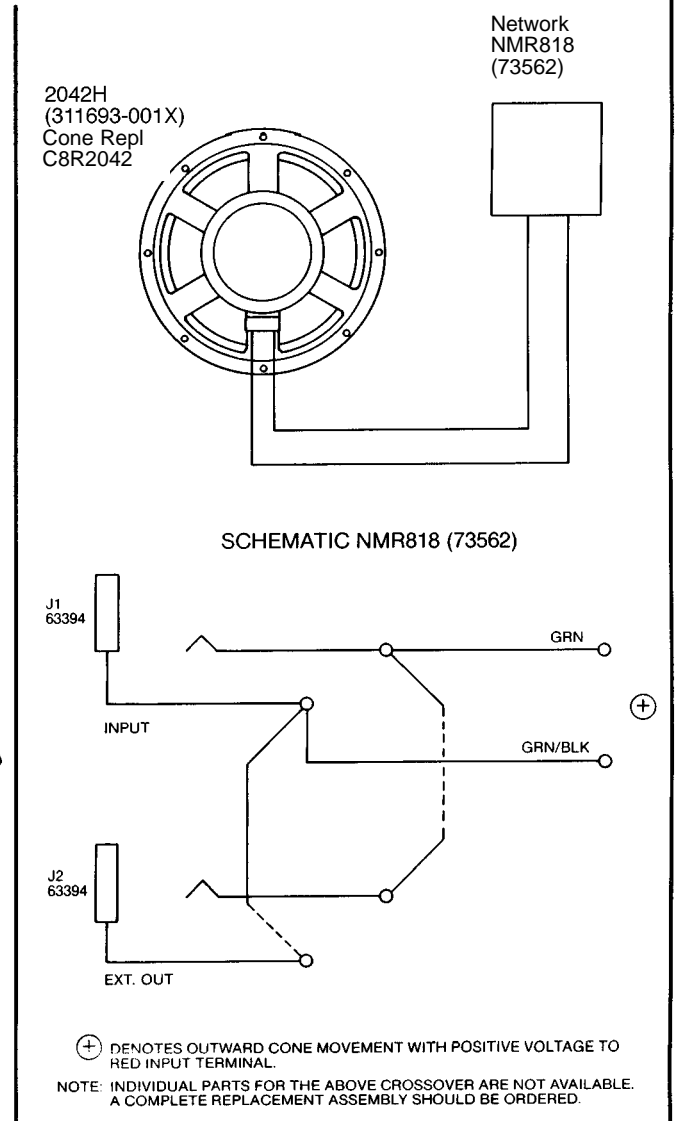
WARRANTY INFORMATION:

- Refer to the Warranty Statement packed with each product.

PACKAGE



WIRING DIAGRAM



JBL MR818

COMPONENT EXPLODED VIEW

